

Flexi-8
Multifunctional Loudspeaker

Flexi-8

General Safety Instructions	3
Care	3
Transport and storage	3
Warranty	3
Components	4
Technical data	5
Connections	5
Setup	6
Connecting cables	6
Operation	6

Manufacturer's declaration

Imprint	7
---------------	---

General Safety Instructions:

Loudspeakers produce a static magnetic field even if they are not connected or are not in use. Therefore make sure when erecting and transporting loudspeakers that they are nowhere near equipment and objects which may be impaired or damaged by an external magnetic field. Persons with cardiac pacemakers must maintain a safe distance.

The minimum recommended safety clearance is 1 m.

Never stand in the immediate vicinity of loudspeakers driven at a high level. Professional loudspeaker systems are capable of causing a sound pressure level detrimental to human health. Seemingly non-critical sound levels (from approx. 90 dB SPL) can cause hearing damage if people are exposed to it over a long period.

All connected cables must be laid in such a way that they cannot be crushed by objects and that nobody can step on them! Replace damaged cables immediately and do not use them!

Use only accessory parts specified by TENNAX or original accessory parts from TENNAX. Check all cabinets and accessories regularly for wear and replace them if necessary.

Do not set up the loudspeakers in places where they are permanently exposed to moisture, dust, dirt or direct sunlight.

Care

Wipe the surface of loudspeakers only with a damp cloth and pure water. In case of heavy pollution, repeat the above procedure several times if necessary. Do not use any chemical additives or aggressive detergents, as these may harm and damage the surfaces.

Transport and storage

When transporting and storing the unit, it is important to ensure that the surface and front grill of the loudspeaker are not damaged. Moisture can penetrate through exposed wood surfaces and cause the wood to swell. A bent or broken front grill will no longer adequately protect the sensitive speaker membranes. In addition, appreciable dust deposits may considerably impair the functionality of a loudspeaker membrane. For this reason, the loudspeakers should be transported and stored in a safe, careful, dry and largely dust-free manner.

The following accessory parts for transport and storage are available from TENNAX:

- Transport cover for Flexi-8 (Item no. 5T0080000)

Note: *The original packaging is unsuitable as permanent storage and transport packaging!*

Warranty

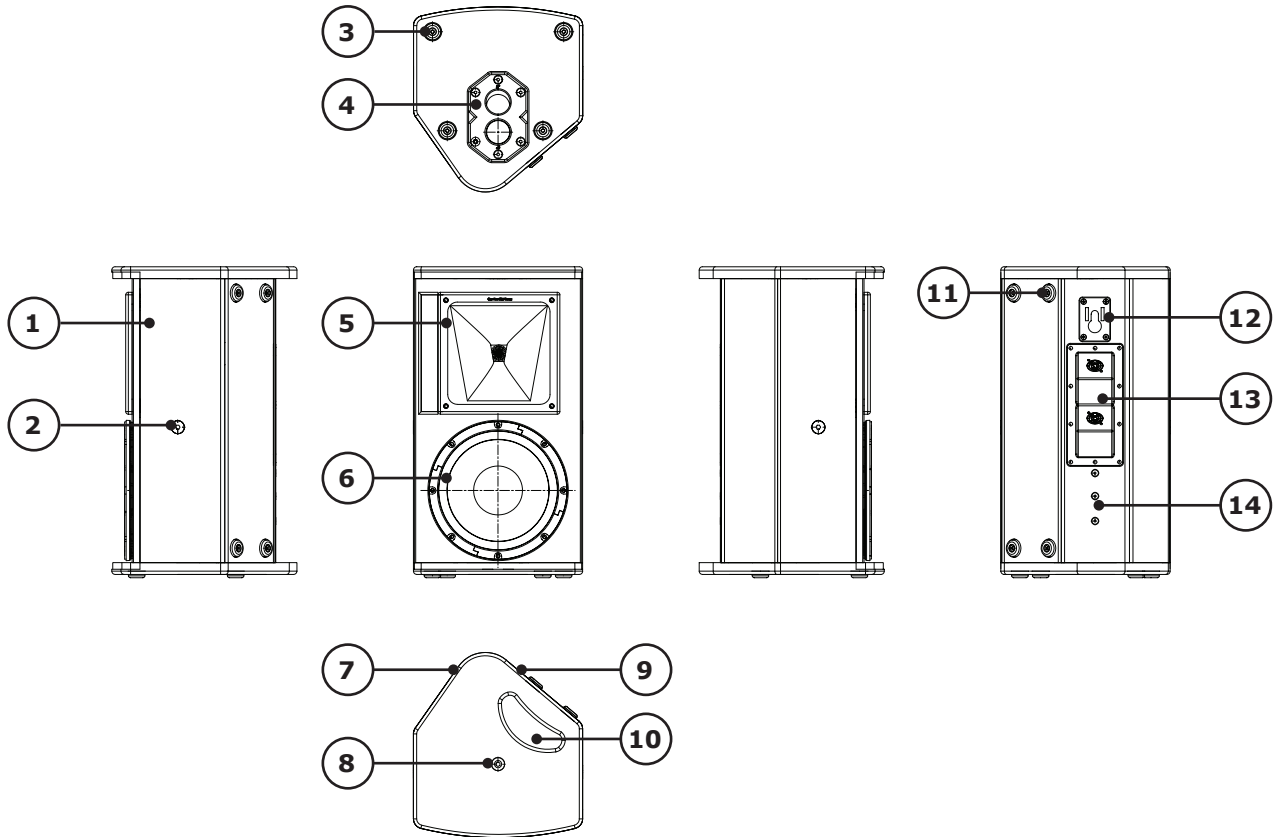
The warranty period is 24 months from date of delivery.

On our choice we will eliminate any lack of conformity with repair or with replacement of the faulty goods. The place of performance for warranty services is TENNAX headquarters in Dörverden. In case of remedy of defects, the buyer shall bear all costs resulting from transportation of the goods to TENNAX headquarters in Dörverden.

The ordering party is not entitled to remedy the defect by itself or to organise a replacement and to charge such activities to TENNAX. In case of self remedy by the ordering party the warranty given by TENNAX becomes void.

Warranty doesn't apply to parts of wear and tear, such as threaded points, such as threaded points, flying tracks, tilting pole socket, rubber feet and the SpeakON® connectors.

Components



01. 15 mm multiplex housing, surface polyurea coating.
02. 2 x M10 mounting points on the side, for example for U-brackets.
03. 4 x rubber feet on the underside.
04. Dual-tilt pole socket with 0° and 5°.
05. 1" compression drive with rotatable asymmetric horn.
06. 8" woofer.
07. Monitor angle 50°.
08. 2 x M10 mounting points at the top and bottom, for example for C-brackets.
09. Monitor angle 35°.
10. Recessed grip on top.
11. 4 x rubber feet at the monitor angle.
12. Safety point for safety rope with Single-Stud.
13. Connector panel with two SpeakON® connectors and Type plate with serial number.
14. 3 x M6 threaded points for mounting various accessories.

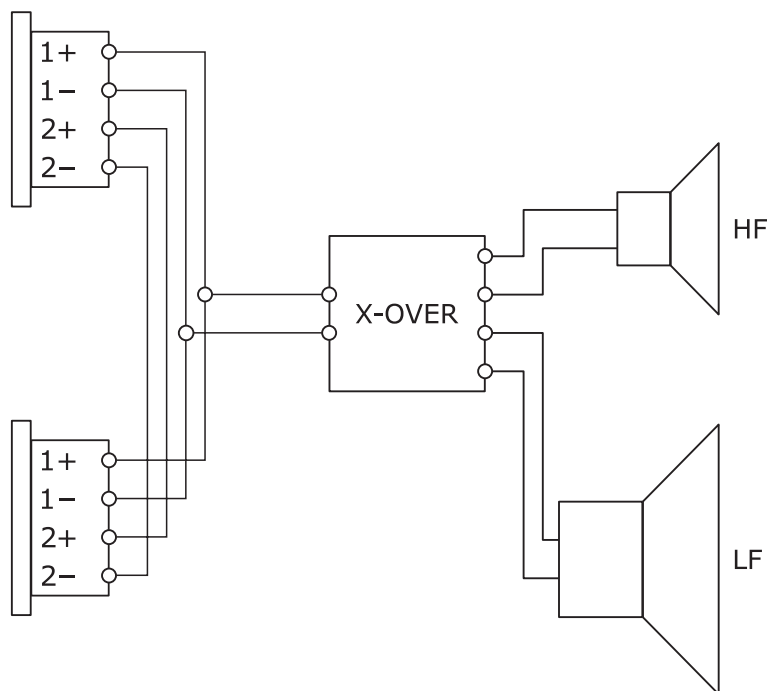
Without illustration: Front grille 1 mm with 10 mm acoustic foam.

Technical data

Components	LF: 1 x 6,5" bass-midrange driver HF: 1 x 1" Compression driver
Frequency range	68 Hz - 21 kHz (- 10 dB) 100 Hz - 20,5 kHz (+/- 3 dB)
Coverage range (h x v)	asymmetrical 100° to 50° x 55°
Monitor angles	50° and 35°
Powerhandling	125 W AES / 250 W program / 500 W peak at 16 Ω
Sound pressure	112 dB SPL AES / 115 dB SPL program / 118 dB SPL peak
Dimensions / Weight	372 (h) x 190 (w) x 217 mm (d) / 6,6 kg
Finish	Polyurea coating in RAL 9005

Connections

The loudspeaker has two loop-through Neutrik NL4 SpeakON® IN/OUT connectors. They use the 2+/2- connection pins. Additional loudspeakers can be looped through via the second connector.



Setup

The Flexi-6 is designed for standing, vertical and horizontal operation. A variety of accessories is available from TENNAX to securely attach the loudspeaker safely on tripods, distance rods or hanging it from on trusses, ceilings and walls. Ensure that the loudspeakers are securely attached to prevent personal injury and damage of property.

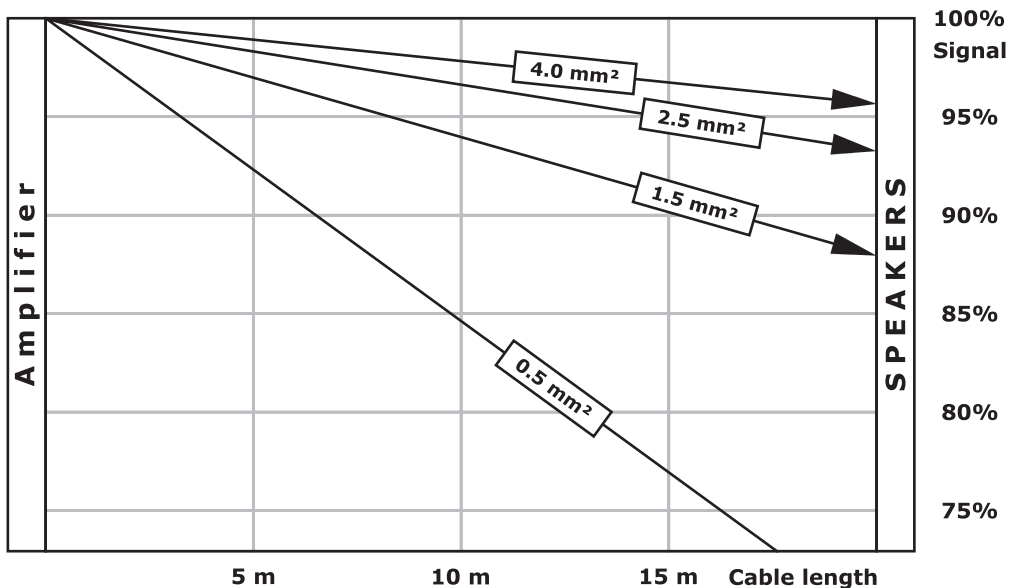
Connecting cables

When connecting the cables to the loudspeaker, ensure that the polarity (+/-) and pin assignment (1/2) is correct. Incorrect connection results in a significant change in the loudspeaker sound characteristics and may damage the compression driver.

The two connection sockets on the back of the loudspeaker can be used to link multiple loudspeakers on a single amplifier. Note that parallel connection reduces the total impedance (Ω) seen by the amplifier. The total impedance of loudspeakers connected in parallel must not drop below the minimum operating impedance of the amplifier.

TENNAX recommends to use the available 4 x 4 mm² Speakon cables for mobile use.

We recommend wiring the basses with at least 4 mm² in installations. The cables of the tops in installations must be sufficiently dimensioned according to impedance, power and cable length.



Simplified display without consideration of loudspeaker impedances

Operation

TENNAX loudspeakers can be driven by standard linear amplifiers.

For optimal performance, we recommend using the system amplifiers and presets provided by TENNAX.

Be sure to select the appropriate preset before connecting the speaker to the system amplifier or self-powered subwoofer.

Operation with an incorrect preset may damage parts of the speaker.

Imprint

© SRV Licht- & Tonanlagen, all rights reserved.

All specifications in this manual are based on information available at the time of publishing for the features and safety guidelines of the described products. Technical specifications, measurements, weights and properties are not guaranteed.

The manufacturer reserves the right to make technical modifications according to legal regulations stipulating the continual improvement of product features. For the safe operation of the unit, this manual and all other required information must be available to all users at the time of assembly and disassembly of the unit, and during operation. Assemble or operate the unit only after reading and understanding this manual, and keeping it at hand at all times at the site.

We are happy to receive your suggestions and proposals for the enhancement of this manual.

Please send us your ideas to the following address:

SRV Licht- & Tonanlagen - TENNAX Headquarters
Brocksfeld 3
D-27313 Dörverden

Tel.: + 49 (0) 4234 942 777

E-Mail: info@TENNAX.de